

Notice Inviting Tender

Sealed quotations are invited from eligible, approved and experienced Civil Contractors for the works “**Making approach road to the street light poles for repair and maintenance of light points at a height of 12 mtr, providing barbed wire fencing around DP structure & providing & fixing UV stabilized fiberglass reinforced plastic sheet roofing in new R&D building near satire case**” at the Institute of Life Sciences, Nalco square, and Bhubaneswar. The quotation papers are available in the website of the Institute at www.ils.res.in/www.tender.gov.in. Interested Contractors may download the quotation papers, complete the same and send the same to the undersigned as so to reach the undersigned on or before **14 /05 / 2015** , up to **3.00 PM**. The quotations will be opened on the same day at 3.30 P.M. in presence of the intending bidders or their authorized representatives. Quotations received after due date & time will not be entertained. Institute is not responsible for any postal delay. Incomplete or conditional quotation is liable for rejection. The authority reserves the right to reject any or all the quotations without assigning any reasons thereof.

Terms and conditions:

1. The work will be executed based on the specification as stated in the tender document.
2. The contractors who are interested to participate in the tender shall furnish Xerox copies of their Registration **Nos. / Trade License No., Tin No. & pan card**.
3. They must have successfully executed at least one similar work of single order value not less than Rs.150000/- for work during the last 3 years. Documentary proof (copy of W.O) must be submitted.
4. The work should be started immediately after issue of work order and should be completed within one month from the date of issue of work order. Otherwise, penalty @ 1% of tender value will be charged to the Contractor per week of delay.
5. No extension of time will be allowed, if the above work is not completed within the stipulated time. ILS reserves the right to get it completed through any other source without sending any intimation to the contractor.
6. After completion of the work the Contractor shall clean the site and remove debris from the site to outside of ILS.
7. The Contractor shall abide by the laws of the land for payments to labourers etc.
8. The work shall be executed based on the design approved by ILS.
9. The payment shall be made as per the actual measurement of the work done confirming to specification and design.
10. Income Tax, Sales Tax, etc. shall be deducted from the payment to be made to the Contractor as per the existing law.
11. The court situated at Bhubaneswar shall have jurisdiction to decide any dispute or litigation, if arises in future beyond the above mentioned rules & regulations.

Copy to:

- 1) Notice board, ILS
- 2) Finance & Accounts Dept.
- 3) Mr. S .S.Mohanty, for publication in the website of www.ils.res.in/www.tender.gov.in

Administrative Officer

Name of the Work: Making approach road to the street light poles for repair and maintenance of light points at a height of 12 mtr, providing barbed wire fencing around DP structure & providing & fixing UV stabilized fiberglass reinforced plastic sheet roofing in new R&D building near satire case.

Sl.No	Description of Item	Unit	Quantity	Rate	Amount
1	Earth work in excavation by mechanical means (Hydraulic excavator) / manual means over areas (exceeding 30cm in depth. 1.5 m in width as well as 10 sqm on plan) including disposal of excavated earth, lead up to 50m and lift up to 1.5m, disposed earth to be leveled and neatly dressed. All kinds of soil	Cum	30.00		
2	Demolishing cement concrete manually/ by mechanical means including disposal of material within 50 meters lead as per direction of Engineer - in - charge. Nominal concrete 1:3:6 or richer mix (i/c equivalent design mix)	Cum	5.00		
3	Surface dressing of the ground including removing vegetation and in-equalities not exceeding 15 cm deep and disposal of rubbish, lead up to 50 m and lift up to 1.5 m. All kinds of soil.	100 Sqm	0.900		
4	Half brick work with F.P.S bricks of class designations 75 in superstructure above plinth level up to floor V level.	SQM	38.00		
5	Cement mortar 1:3 (1 cement: 3 coarse sand) 12mm thick cement plaster. 1:4 (1 cement: 6 fine sand)	SQM	115.00		
6	Disposal of excavated earth lead up to 50 mtr to 5 km from inside campus.	Cum	30.00		
7	Supplying and filling in plinth with sand under floors, including watering, ramming, consolidating and dressing complete.	cum	9.00		
8	Providing and laying in position cement concert in specified grade excluding the cost of centering and shuttering – All work up to plinth level. 1:4:8 (1 : cement :4 coarse sand, 8 graded stone aggregate 40 mm nominal size)	CUM	6.00		
9	Providing and laying in position cement concert in specified grade excluding the cost of centering and shuttering – All work up to plinth level. 1:2:4 (1 cement : 2 coarse sand : 4 graded stone aggregate 20mm nominal size)	CUM	5.00		
10	Providing and laying in position cement concert in specified grade excluding the cost of centering and shuttering – All work up to plinth level. 1:5:10 (1 cement: 5 coarse sand: 10 graded stone aggregate 40 mm nominal size).	CUM	3.50		
11	Providing, hoisting and fixing up to floor five level precast reinforced cement concrete work in string courses, bands, copings, bed plates, anchor blocks, plain window sills and the like, including the cost of required centering, shuttering but <u>excluding cost of reinforcement</u> , with 1:2:4 (1 cement : 2 coarse	Cum	1.25		

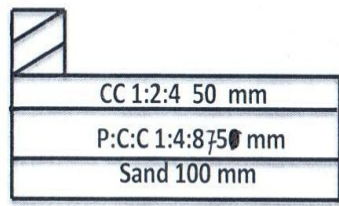
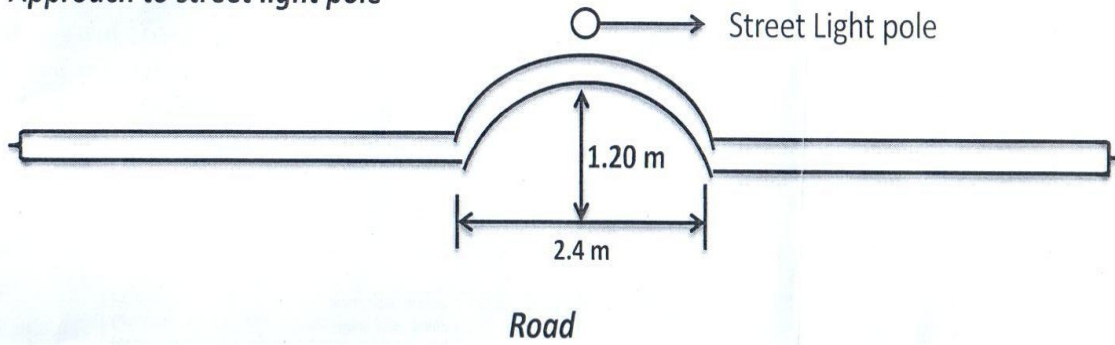
	sand : 4 graded stone aggregate 20 mm nominal size).		
12	Steel reinforcement for R.C.C. work including straightening, cutting, bending, placing in position and binding all complete upto plinth level. Cold twisted bars.	Kg	85.00
13	Fencing with angle iron post placed at required distance embedded in cement concrete blocks, every 15th post, last but one end post and corner post shall be strutted on both sides and end post on one side only and provided with horizontal lines and two diagonals interwoven with horizontal wires, of barbed wire weighing 9.38 kg per 100 m (minimum), between the two posts fitted and fixed with G.I. staples, turn buckles etc. complete. (Cost of posts, struts, earth work and concrete work to be paid for separately). Payment to be made per meter cost of total length of barbed wire used. With G.I. barbed wire	meter	325 .00
14	Finishing walls with Premium Acrylic Smooth exterior paint with Silicone additives of required shade: New work (Two or more coats applied @ 1.43 ltr/ 10 sqm over and including priming coat of exterior primer applied @ 2.20 kg/ 10 sqm).	Sqm	65.00
15	Structural steel work in single section, fixed with or without connecting plate, including cutting, hoisting, fixing in position and applying a priming coat of approved steel primer all complete.	KG	75.00
16	Providing & fixing UV stabilized fiberglass reinforced plastic sheet roofing up to any pitch, including fixing with polymer coated 'J' or 'L' hooks, bolts & nuts 8mm dia. G.I plain/bitumen washers complete but excluding the cost of purlins, rafters, trusses etc. The sheets shall be manufactured out of 2400 TEX panel rovigs incorporating minimum 0.3% ultra-violet stabilizer in resin system under approximately 2400 psi and hot cured. They shall be of uniform pigmentation and thickness without air pockets and shall conform to IS 10192 and IS 12866.The sheets shall be opaque or translucent, clear or pigmented, textured or smooth as specified. 2mm thick corrugated (2.5" or 4.2" or 6") or step-down (2" or 3" or 6") as specified	Sqm	26.00

Total Amount

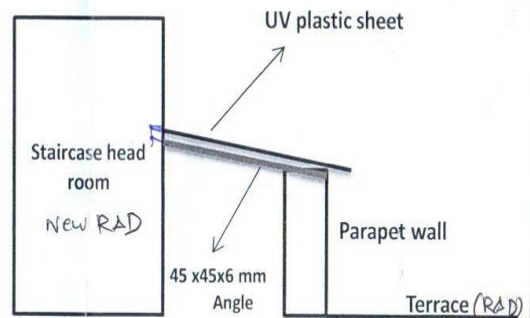
- (1) All charges shall include the cost of Labour, material, taxes and other incidentals. Nothing Extra shall be paid beyond the agreement rate.
- (2) The work should be executed as per CPWD / IS Specification.
- (3) The work will be done according to the direction of Engineer in charge.

Approach to street light pole

7



Section

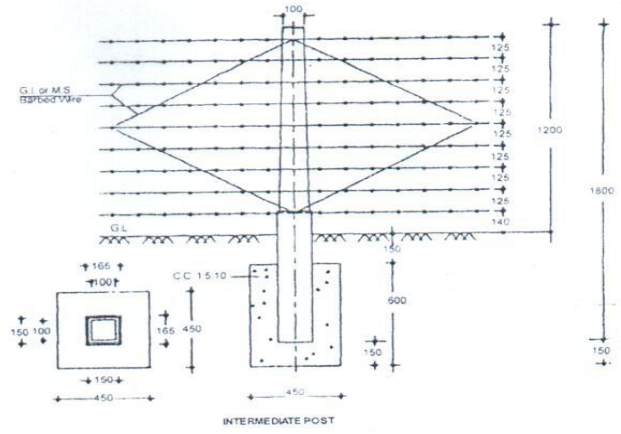


1:2:4 (1 cement : 2 coarse sand : 4 graded stone)	CUM	5.00	4921.70	24608.50
---	-----	------	---------	----------

18

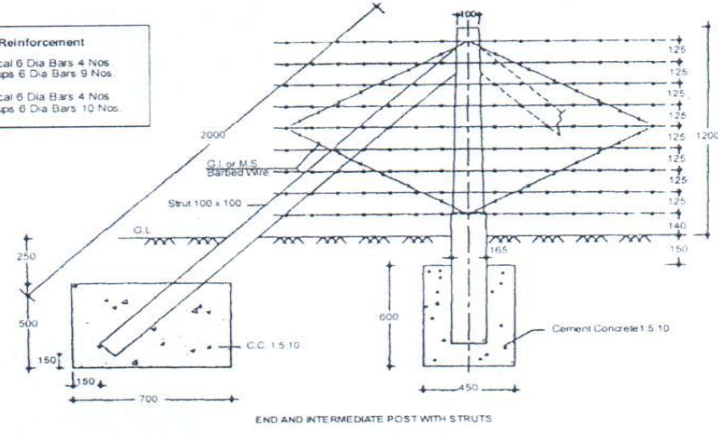
BARBED WIRE FENCING (WITH R.C.C. POST)

Sub Head : Road Work
Clause : 16.16



INTERMEDIATE POST

Details of Reinforcement	
In Post	Vertical 6 Dia Bars 4 Nos. Stirrups 6 Dia Bars 9 Nos.
In Struts	Vertical 6 Dia Bars 4 Nos. Stirrups 6 Dia Bars 10 Nos.



END AND INTERMEDIATE POST WITH STRUTS

1. In case of end post one strut shall be omitted.
2. Drawing not to Scale.
3. All dimensions are in mm.

Fig. 16.9 : Barbed Wire Fencing

Handwritten signature